



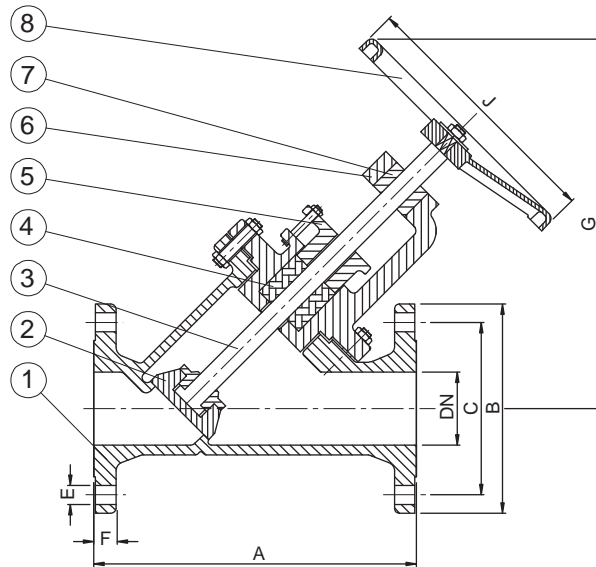
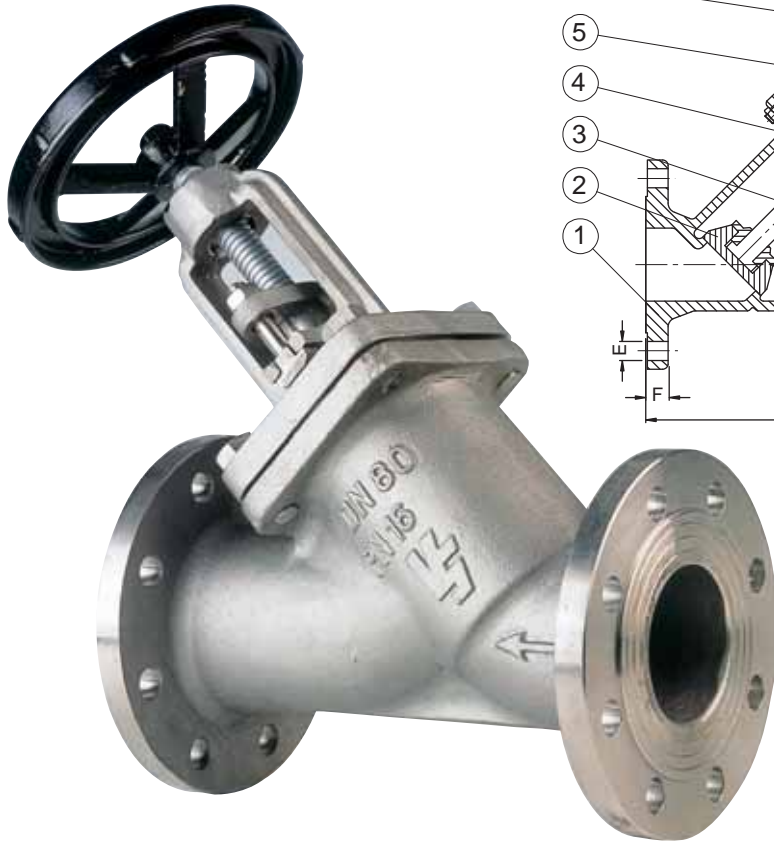
VALVULA DE ASIEN TO INCLINADO

GLOBE VALVE "Y-PATTERN"

NORMAS DIN

Fig. VS
102

SERIE
PN-16/40



| Nº | DENOMINACIÓN / PART | MATERIAL |
|----|------------------------------|---------------|
| 1 | CUERPO / BODY | INOX CF8M |
| 2 | CIERRE / DISC | INOX CF8M |
| 3 | HUSILLO / STEM | INOX 316 |
| 4 | EMPAQUETADURA / GLANDPACKING | Graphite-PTFE |
| 5 | PRENSA / GLAND | INOX CF8M |
| 6 | TAPA / BONNET | INOX CF8M |
| 7 | TUERCA / NUT | INOX 316 |
| 8 | VOLANTE / HANDWHEEL | AL IRON GG25 |

Otros materiales / dimensiones consultar
Others materials / dimensions on request

VALVULA DE ASIEN TO INCLINADO

- Tapa puente atornillada.
- Husillo y volante ascendentes.
- Cierre en acero inoxidable o PTFE.
- Bridas barrenadas y dimensionadas, s/n DIN serie PN-16 o PN-40.
- Distancia entre caras s/n DIN 3202 F-1.
- Pasos de 15 a 350 mm. PN-16
15 a 150 mm. PN-40

GLOBE VALVE "Y-PATTERN"

- Bolted yoke bonnet.
- Rising stem and handwheel.
- Stainless steel or PTFE sealings.
- Drilled and dimensioned flanged, according to DIN PN-16 or PN-40.
- Distance between sides according to DIN 3202 F-1.
- Sizes from 15 to 350 mm. PN-16
15 to 150 mm. PN-40

CUADRO DE DIMENSIONES NORMAS DIN
DIMENSIONS PANEL

| DN | 15 | 20 | 25 | 32 | 40 | 50 | 65 | 80 | 100 | 125 | 150 | 200 | 250 | 300 | 350 |
|--------------------------|-----|-----|-----|-----|-----|-----|-----|-----|-----|-----|-----|------|------|-----|-----|
| A | 130 | 150 | 160 | 180 | 200 | 230 | 290 | 310 | 350 | 400 | 480 | 600 | 730 | 850 | 980 |
| B | 95 | 105 | 115 | 140 | 150 | 165 | 185 | 200 | 220 | 250 | 285 | 340 | 405 | 445 | 505 |
| C | 65 | 75 | 85 | 100 | 110 | 125 | 145 | 160 | 180 | 210 | 240 | 295 | 350 | 400 | 460 |
| F | 14 | 16 | 16 | 16 | 18 | 18 | 18 | 20 | 20 | 22 | 22 | 24 | 26 | 26 | 26 |
| E | 14 | 14 | 14 | 18 | 18 | 18 | 18 | 18 | 18 | 18 | 23 | 23 | 23 | 23 | 23 |
| N* | 4 | 4 | 4 | 4 | 4 | 4 | 4 | 8 | 8 | 8 | 8 | 8/12 | 8/12 | 12 | 16 |
| G | 180 | 180 | 199 | 226 | 253 | 272 | 320 | 339 | 402 | 483 | 543 | 664 | 750 | (1) | (1) |
| J | 125 | 125 | 125 | 150 | 160 | 160 | 200 | 200 | 250 | 320 | 380 | 450 | 500 | (1) | (1) |
| Peso (kg) Weight (kg) | 4,5 | 5,5 | 7 | 9 | 11 | 14 | 22 | 24 | 37 | 68 | 85 | 148 | 208 | 290 | |

* N° de agujeros / N° of holes

(1) Desmultiplicador / Bevel gear operator